

# DH-PFM320D-015

## DC12V1.5A Power Adapter



### Features

- Easy installation
- Support working with indicator light
- Support  $-30\text{ }^{\circ}\text{C} \sim +70\text{ }^{\circ}\text{C}$  wide-range temperature operation, and the full load efficiency of the power supply can be up to 100% at these temperatures
- Accurate overcurrent, overvoltage protection

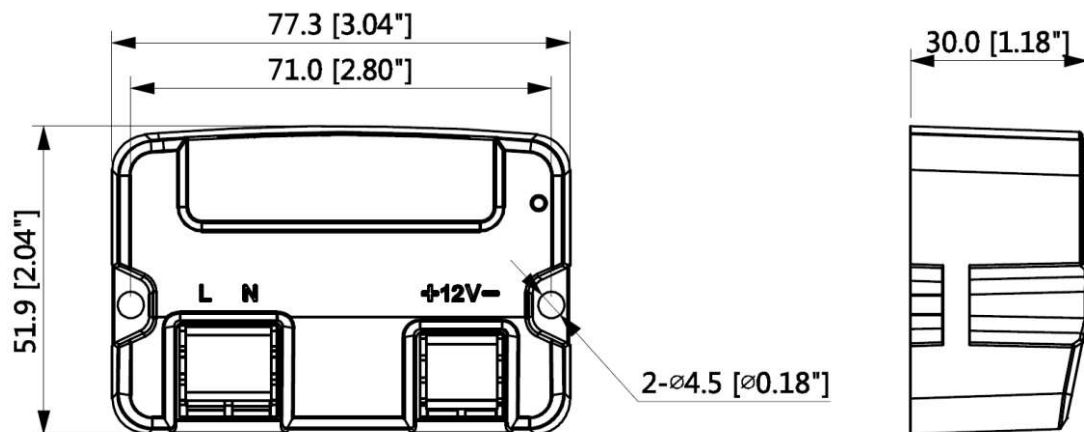
## Technical Specifications

<b>Model</b>	<b>DH-PFM320D-015</b>
<b>Electrical Specification</b>	
Rated input	AC100~240V, 50/60Hz, 0.6A
Output voltage	DC12V (+7%, -3%)
Output current	Max. 1.5A (+70°C)
<b>Protection/Environmental</b>	
Protection	Surge protection, over temperature protection, over current, voltage load protection
	ESD: EN61000-4-2 +/-6kV Contact; +/-8kV Air
	Surge: EN61000-4-5 Combination Wave: Common Mode ±4KV(12 ohms) Differential Mode ±2kV(2 ohms)
Working temperature	<b>-30°C ~ +70°C</b> (-22°F ~ +158°F)
Working humidity	5%~95% RH
<b>Physical Properties</b>	
Weight	95g(0.21lb)
Dimension(LxWxH)	77.3mmx51.9mmx30.0mm(3.04"x2.04"x1.18")
Installation	Plane installation, can be installed in junction boxes and wall mount brackets
Color	White
Input plug	2-pin plug(L/N)
Output plug	2-pin plug(+12V-)
<b>Safety Standards</b>	
Certification	CE, FCC

## Order Information

Type	Part Number	Description
Power series	<b>DH-PFM320D-015</b>	<b>DC12V 1.5A power adapter(CE/FCC)</b>
	DH-PFM321D-EN	DC12V 1A power adapter(CE/FCC/UL-VI) for cameras
	DH-PFM321D-BS	
	DH-PFM321D-US	
	DH-PFM320D-EN	DC12V 2A power adapter(CE/FCC/UL-VI) for cameras
	DH-PFM320D-BS	
	DH-PFM320D-US	

## Dimensions (mm/inch)



## Application

- Support to be installed in some brackets, such as junction box PFA12X and wall mount bracket PFB302S/PFB210W.

## Package Information

- DC12V 1.5A power adapter DH-PFM320D-015 \*1